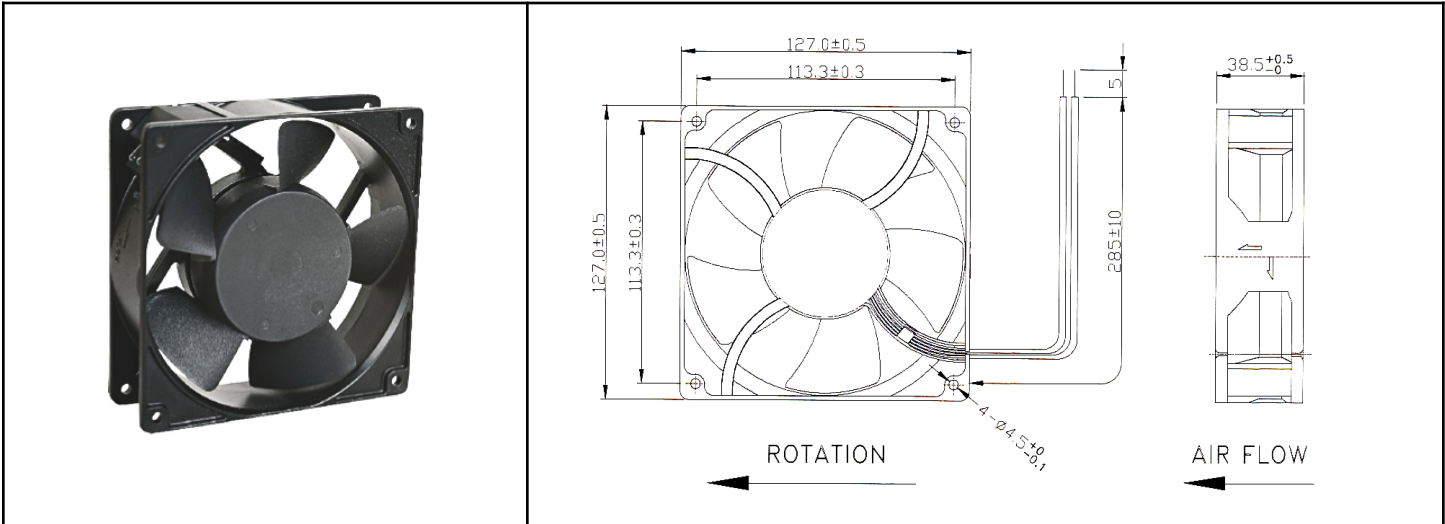


OD127 Series



DC Fan - 12, 24, 48V
127x38.5mm (5.0"x 1.5")



Frame & Impeller	PBT, UL94V-O plastic	Available Options: Tachometer (FG) Alarm (RD) Thermal Speed Control (Thermistor) PWM Input (Manual Speed Control) <u>Life Expectancy (L10)</u> Ball - 60,000 hrs (45C) <u>Operating Temperature</u> Ball: -20 ~ 75C	
Connection	2x Lead wires		
Motor	Brushless DC, auto restart, polarity protected		
Bearing System	Dual Ball bearing		
Insulation Resistance	10M ohm between leadwire and frame (500VDC)		
Dielectric Strength	1 second at 500 VAC, max leakage - 500 MicroAmp		
Storage Temperature	-30C ~ +90C		

Model Number	Speed (RPM)	Airflow (CFM)	Noise (dB)	Volts DC	Voltage Range	Amps	Max. Static Pressure (H ₂ O)
OD127-12HB	3500	193	56	12	8~14	1.2	0.46
OD127-12MB	2950	161	53	12	8~14	0.78	0.35
OD127-24MB	2950	161	53	24	11~28	0.41	0.35
OD127-48HB XC	4500	242	64	48	22~55	0.70	0.63
OD127-48HHB	4100	226	53	48	22~55	0.55	0.55
OD127-48HB	3500	193	56	48	22~55	0.34	0.46
OD127-48MB	2950	161	53	48	22~55	0.23	0.35
OD127-48LB	2500	133	30	48	22~55	0.17	0.23
OD127-48LLB	2000	107	41	48	22~55	0.12	0.16

Other configurations are available by special order.